



Door leaf decors

cashmere matt	warm gray matt	sage oak	dark olive matt	dark blue matt	white (textured)	white matt	white pine	siberian elm	light gray matt	silver	DRE-Cell Decor 1st group
NEW											
											DRE-Cell Decor 2nd group
											3D Decor
											Painted decor
											CPL Laminate
											Decor

Available colours of aluminum door frames

aluminum

White RAL 9003

black

white acrylic UV varnish - RAL 9003
 ecru - RAL 9001
 latte - Flugger 4362, NCS S1505-Y50R
 ashen - RAL 7035

black ST

primed

NON-REBATED - OPENED OUTWARDS AND INVERTED REBATE - OPENED INWARDS

Sara Eco 2 door leaf is an innovative solution for creative interior design with the use of "invisible" doors. This unique construction gives possibility to finish surface of door leaf in the colors of the walls.

CONSTRUCTION OF SARA ECO 2 DOOR LEAF COMPRISES OF:

Aluminum door frame, invisible after installation, built into the reveal or covered with plasterboards. After masonry processing, only the frame notch is visible, ready for painting, e.g. in the color of the walls.

Non-rebated panel construction door leaf and inverted rebate in two finishing options:

- » Wide door leaf surfaces primed and ready for painting or wallpapering (e.g. in the color of the walls). The edges of the door leaf are covered with a edging that can be painted. Painting should be done on your own or you can choose painted decors.
- » Wide door leaf surfaces covered with foils from DRE-Cell, 3D, CP black ST groups or with painting foil in the group of painted decors, the edges of the door leaf covered with the edging in the color of the foil (except for antique copper and concrete oxide colors).

OPTIONS AVAILABLE WITH EXTRA CHARGE WITH PRIMER

- » ventilation undercut
- » recuperative undercutting -15mm
- » tubular chipboard in standard 202
- » tubular chipboard in 220 standard
- » tubular chipboard in standard 240

STANDARD OPTION

- » door leaf frame made of softwood
- » sockets for 2 or 3 recessed hinges, new hinges with increased load capacity up to 60 kg are used in white and black door frame colors
- » core made of „honeycomb“
- » white or silver simple key magnetic lock, toilet lock, cylinder lock or economic lock

OPTIONS AVAILABLE WITH EXTRA CHARGE IN DRE-CELL, 3D AND PAINTED

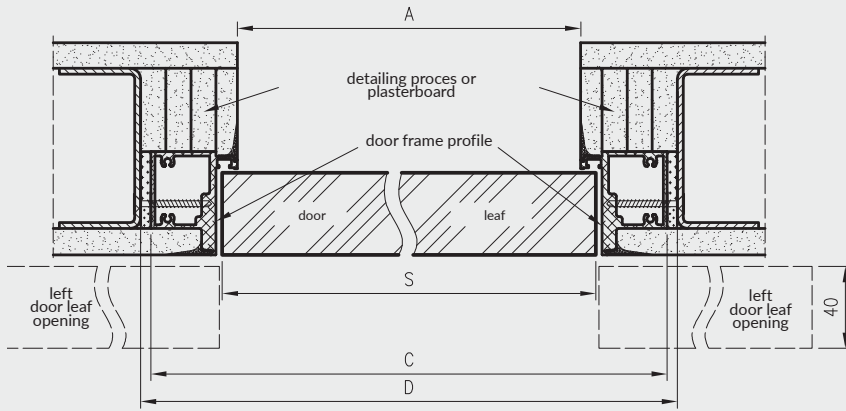
- » ventilation undercut
- » recuperative undercutting -15mm
- » plastic ventilation grille
- » aluminum ventilation grille
- » dropping seal
- » tubular chipboard in standard 202
- » tubular chipboard in 220 standard
- » tubular chipboard in standard 240

Price of the door frame includes 2 or 3 hidden concealed hinges.

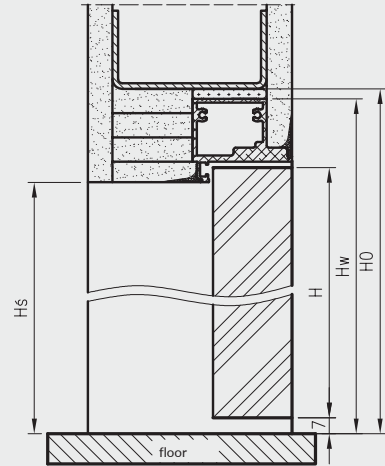
Note: in option with stabilising insert as tubular chipboard, in standard 202 it is required to use 3 hinges.

NON-REBATED - OUTWARD OPENING, DRE DOOR FRAME

Horizontal cross-section of the Sara Eco 2 non-rebated door - opening outwards



Vertical cross-section of the Sara Eco 2 non-rebated door leaves - opening outwards



Dimensions of the door leaf width Sara

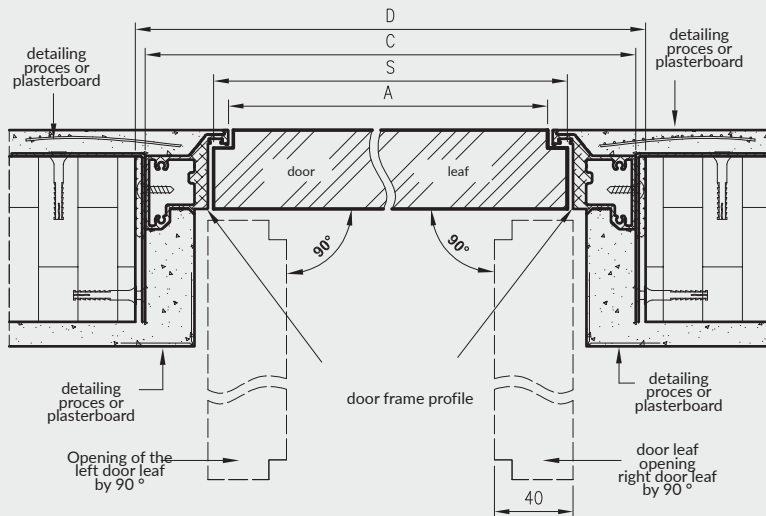
	S	A	C	D
"60"	620	605	690	700
"70"	720	705	790	800
"80"	820	805	890	900
"90"	920	905	990	1000
"100"	1020	1005	1090	1100

height dimensions of rebated doors

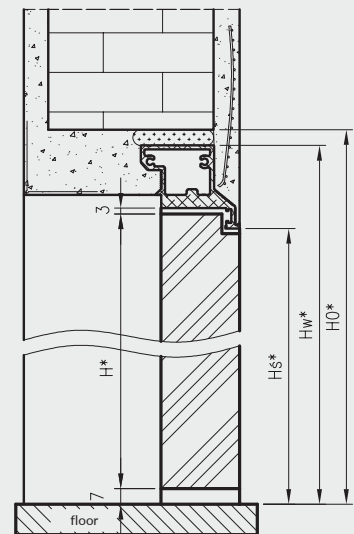
standard	H	Hs	hw	H0
202x	2020	2020	2062	2070
220X	2200	2200	2242	2250
240X	2400	2400	2442	2450

INVERTED REBATE - INWARD OPENING, DRE DOOR FRAME

Cross-section of Sara Eco 2 with inverted rebate - opened inwards



Vertical section of Sara Eco 2 with inverted rebate - opened inwards



Dimensions of the door leaf width Sara Eco 2

	S	A	C	D
"60"	620	605	690	700
"70"	720	705	790	800
"80"	820	805	890	900
"90"	920	905	990	1000
"100"	1020	1005	1090	1100

height dimensions of rebated doors

standard	H*	Hs*	Hw*	H0*
202x	2030	2030	2072	2080
220X	2210	2210	2252	2260
240X	2410	2410	2452	2460

S - door leaf width
A - width of passage in door frame unit
C - external width of door frame
D - required width of wall opening