



**NON-REBATED - OPENED OUTWARDS AND INVERTED REBATE - OPENED INWARDS**

The PROFI system door with an aluminum door frame and a 50 mm thick door leaf is an innovative solution that allows for creative interior design with the usage of invisible doors, with the option of finishing the door leaf surface in the same colors as the walls.

**PROFI DOOR STRUCTURE INCLUDES:**

Aluminum door frame, invisible after installation, built into the reveal or covered with plasterboards. After masonry processing, only the frame notch is visible, ready for painting, e.g. in the color of the walls.

Non-rebated panel construction door leaf and inverted rebate in two finishing options:

- » Wide door leaf surfaces primed and ready for painting or wallpapering (e.g. in the color of the walls). The edges of the door leaf are covered with a edging that can be painted. Painting should be done on your own or you can choose a painted decor.
- » Wide surfaces of the door leaf and edges painted with white acrylic UV varnish.

**OPTIONS AVAILABLE WITH EXTRA CHARGE**

- » ventilation undercut
- » dropping seal
- » Silent package 37dB (dropping seal + acoustic insert) - Standard 2043
- » Silent package 37dB (dropping seal + acoustic insert) - Standard 2240

Non-rebated door frame profile



Inverted door frame profile rebates



Door leaf decors:



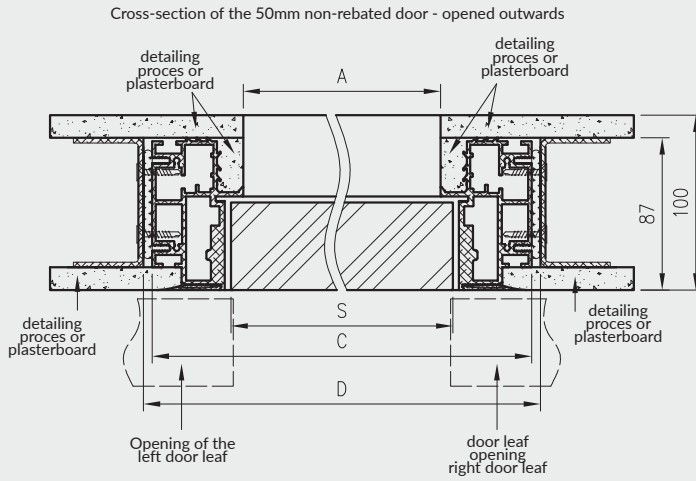
Decor

Painted decor

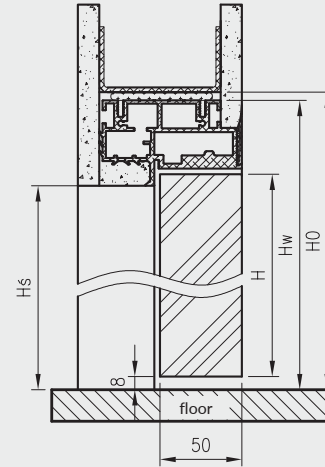
white acrylic UV varnish - RAL 9003

Extra charge for the third Estetic 80 hinge

## NON-REBATED - OPENED OUTWARDS IN THE 2043, 2240 STANDARD NORMS



Vertical section of 50mm non-rebated door opened outwards



Profi door width dimensions

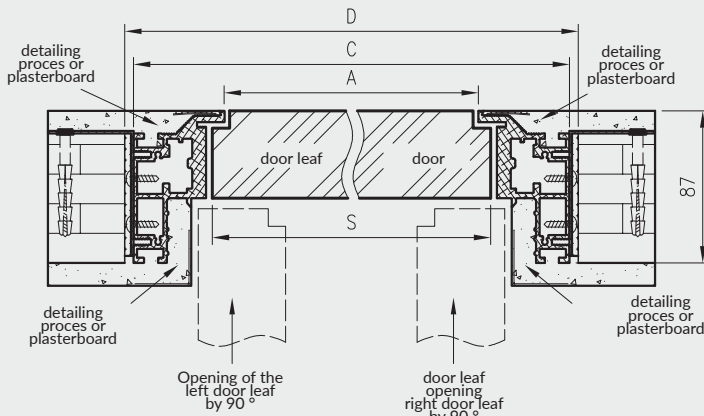
	S	A	C	D
"60"	600	586	690	700
"70"	700	686	790	800
"80"	800	786	890	900
"90"	900	886	990	1000
"100"	1000	986	1090	1100

Dimensions of non-rebated door leaves

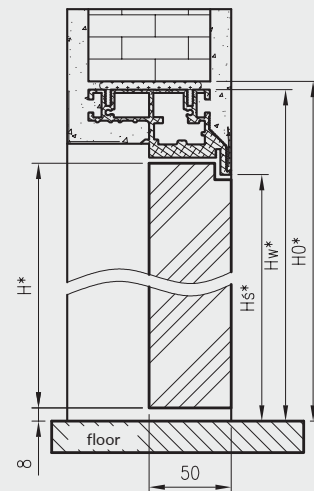
standard	H	H <sup>S</sup>	hw	H <sub>0</sub>
2043	2043	2044	2096	2101
2240	2240	2241	2293	2298

## INVERTED REBATE - OPENED INWARDS IN THE 2043, 2240 STANDARD NORMS

Cross-section of 50mm inverted rebate door - opened inwards



Vertical section of 50mm inverted rebate door - opened inwards



Profi door width dimensions

	S	A	C	D
"60"	600	586	690	700
"70"	700	686	790	800
"80"	800	786	890	900
"90"	900	886	990	1000
"100"	1000	986	1090	1100

height dimensions of rebated doors

standard	H	H <sup>S</sup>	hw	H <sub>0</sub>
2043	2053	2054	2106	2111
2240	2250	2251	2303	2308

S - door leaf width  
A - width of passage in door frame unit  
C - external width of door frame  
D - required width of wall opening  
H<sub>0</sub> - height of the wall opening