

FOLDE



folding doors FOLDE 10 - white matt



FOLDE - light grey matt

DECORS

3D	grand oak	elm	Polish oak 3D					
DRE CELL	white (textured)	White matt	white pine	siberian elm	sand oak	bleached oak textured	vintage oak	
	walnut	premium natur oak	anthracite elm	dark wenge	marrone chestnut textured	evoke oak	caramel walnut	silver
	light gray matt							

*decor available while stocks last, ***decor only in horizontal grain



FOLDING DOORS FOLDE

interior doors

In folding doors during opening process of door leaf unit, doors fold into position parallel to each other. The complete set of folding doors comprises of:

- two-elements door leaf connected by 3 hidden recessed hinges
- adjustable door frame for folding doors

STANDARD OPTIONS

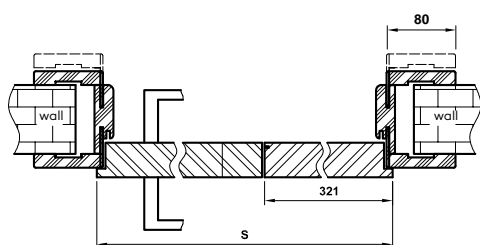
- door leaf frame made of softwood
- core made of „honeycomb“
- straight edge
- single-point mortise simple key lock, bathroom lock, cylinder lock or economic lock
- 3 hidden recessed ISTAR hinges installed between two-elements of door leaf unit

OPTIONS AVAILABLE WITH EXTRA CHARGE

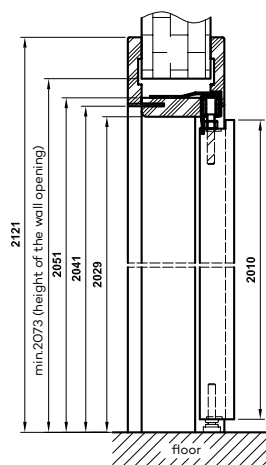
- core made of tubular chipboard
- door leaf „90“ and „100“

NOTE: There is no possibility to shorten door leaf.

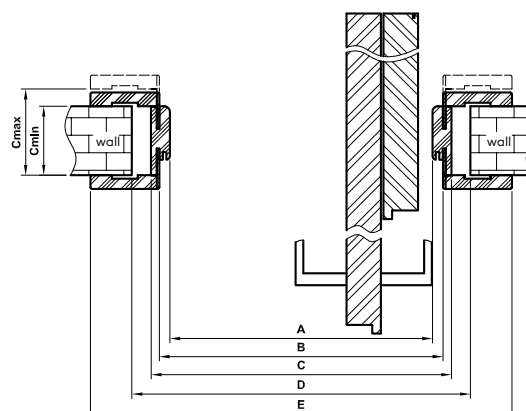
Cross-section of folding doors in closed position*
(right doors, left doors are mirror reflection)



vertical cross-section



Cross section of folding door in open position*



*NOTE: When doors are fully opened, the door fittings slightly reduce the clear opening by approx. 10 cm. (this value doesn't take into account door handle)

Dimensions

	S	A	B	C	D	E
"80"	844	806	830	850	880	990
"90"	944	906	930	950	980	1090
"100"	1044	1006	1030	1050	1080	1190

D - required width of wall opening