

PROFI PRO



PROFI - primer (painted in wall color)



PROFI - white door leaf with aluminum frame

DOOR LEAF DECORS

PAINTED	white	white - UV Premium acrylic varnish - RAL 9003
	primed	



NON-REBATED - OPENED OUTWARDS AND INVERTED REBATE - OPENED INWARDS

PROFI door with an aluminum door frame and a 50 mm thick door leaf is an innovative solution that allows for creative interior design with the usage of invisible doors, with the option of finishing the door leaf surface in the same colors as the walls.

PROFI DOOR STRUCTURE INCLUDES:

Aluminum door frame, "invisible" after assembly process, build in the wall or overlaid with plasterboards. After detailing process, the only visible part is the rebate of the door frame, prepared for future painting, e.g. in the colors of the walls.

Non-rebated panel construction door leaf and inverted rebate in two finishing options:

- Wide surfaces of the door leaf primed and ready for painting or wallpapering (e.g. in the color of the walls). The edges of the leaf are covered with the edge band that can be also painted. Painting should be done on your own or you shall choose a painted decor.
- Wide surfaces of the door leaf and edges painted with white acrylic UV varnish.

OPTIONS AVAILABLE WITH EXTRA CHARGE

- ventilation undercut
- dropping seal
- **Silent 37dB** package (dropping seal + acoustic filling) - Standard 2043
- **Silent 37dB package** (package (dropping seal + acoustic filling) - Standard 2240
- extra charge for the third hinge Estetic 80

Inverted rebate door frame profile

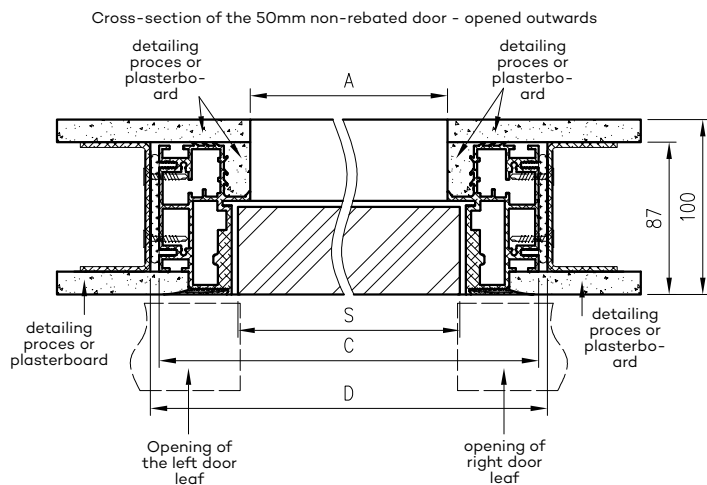


Non-rebated door frame profile

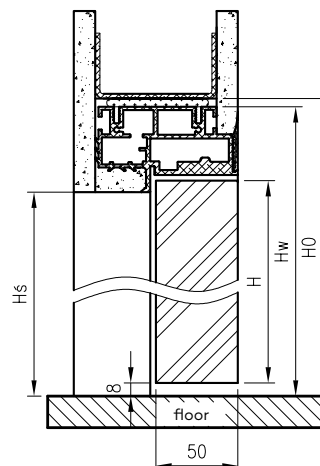


TECHNICAL INFORMATIONS

PROFI - NON-REBATED - OPENING OUTWARDS IN ACCORDANCE WITH THE 2043, 2240 STANDARD



Vertical section of 50mm non-rebated door opened outwards



Profi door width dimensions

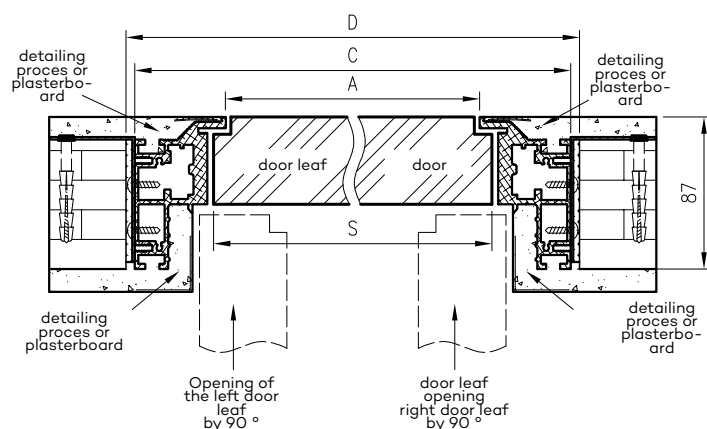
	S	A	C	D
"60"	600	586	690	700
"70"	700	686	790	800
"80"	800	786	890	900
"90"	900	886	990	1000
"100"	1000	986	1090	1100

Door height dimensions

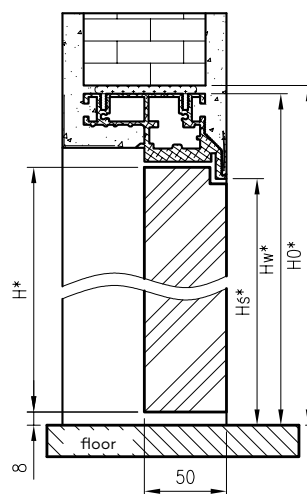
standard	H	HS	hw	H0
2043	2043	2044	2096	2101
2240	2240	2241	2293	2298

PROFI - INVERTED REBATE - OPENING INWARDS IN ACCORDANCE WITH THE 2043, 2240 STANDARD

Cross-section of 50mm inverted rebate door - opened inwards



Vertical section of 50mm inverted rebate door - opened inwards



Profi door width dimensions

	S	A	C	D
"60"	600	586	690	700
"70"	700	686	790	800
"80"	800	786	890	900
"90"	900	886	990	1000
"100"	1000	986	1090	1100

Door height dimensions

standard	H	HS	hw	H0
2043	2053	2054	2106	2111
2240	2250	2251	2303	2308

- S - door leaf width
- A - width of passage in door frame unit
- C - external width of door frame
- D - required width of wall opening
- H0 - height of the wall opening