

# SARA ECO 2



SARA ECO 2 - standard 240 painted in the color of the wall



SARA ECO 2 - sand oak door leaf with aluminum frame



## DOOR LEAF DECORS

<b>PAINTED</b>	white	cashmere	latte	ashen				
<b>3D</b>	grand oak	elm	Polish oak 3D					
<b>DRE CELL1</b>	white (textured)	White matt	white pine	siberian elm	sand oak	bleached oak textured	vintage oak	
	walnut	premium natur oak	anthracite elm	dark wenge	marrone chestnut textured	evoked oak	caramel walnut	silver
	light gray matt	warm gray matt	cashmere matt	sage oak (textured)	sage matt	dark olive matt	dark blue matt	
<b>DRE CELL2</b>	antique copper**	concrete oxide**						
<b>CPL</b>	black ST							
<b>DECOR</b>	primed							

white - UV Premium acrylic varnish - RAL 9003

Cashmere - Premium UV Acrylic Varnish - NCS S2002-Y50R

Latte - Premium UV Acrylic Varnish - Flugger 4362, NCS S1505-Y50R

ashen - Premium UV acrylic varnish - RAL 7035

\*while stock last

\*\*decor with black edge of the door leaf

\*\*\* decor available only in horizontal wood grain

# SARA ECO 2

NON-REBATED, INVERTED REBATE

interior doors

## NON-REBATED - OPENED OUTWARDS AND INVERTED REBATE - OPENED INWARDS

Sara Eco 2 door leaf is an innovative solution for creative interior design with the use of "invisible" doors. This unique construction gives possibility to finish surface of door leaf in the colors of the walls.

## CONSTRUCTION OF SARA ECO 2 DOOR LEAF COMPRISES OF:

Aluminum door frame, "invisible" after assembly process, build in the wall or overlaid with plasterboards. After detailing process, the only visible part is the rebate of the door frame, prepared for future painting, e.g. in the colors of the walls.

Non-rebated panel construction door leaf and inverted rebate in two finishing options:

- wide surfaces of door leaf are primed and ready for painting or paperhanging (e.g. in the colour of the walls). Edges of the leaf are covered with a paintable edge band. Painting is to be done at one's discretion or optional choose painted decor.
- Wide door leaf surfaces covered with foils from DRE-Cell, 3D, CP black ST groups or with painting foil in the group of painted decors, the edges of the door leaf covered with the edging in the color of the foil (except for antique copper and concrete oxide colors).

## OPTIONS AVAILABLE WITH EXTRA CHARGE WITH PRIMER

- ventilation undercut
- recuperative shortcut -8mm
- tubular chipboard in standard 202
- tubular chipboard in 220 standard
- tubular chipboard in standard 240
- solid chipboard in standard 202
- solid chipboard in standard 220
- solid chipboard, standard 240

## STANDARD OPTION

- softwood or MDF frame (primed and painted)
- sockets for 2 or 3 recessed hinges, new hinges with increased load capacity up to 60 kg are used in white and black door frame colors
- core made of „honeycomb”
- white or silver simple key magnetic lock, toilet lock, cylinder lock or economic lock

## OPTIONS AVAILABLE WITH EXTRA CHARGE IN DRE-CELL, 3D AND PAINTED

- ventilation undercut
- recuperative shortcut -8mm
- plastic ventilation grille
- aluminum ventilation grille
- dropping seal
- tubular chipboard in standard 202
- tubular chipboard in 220 standard
- tubular chipboard in 240 standard
- solid chipboard in standard 202
- solid chipboard in standard 220
- solid chipboard, standard 240

Price of the door frame includes 2 or 3 hidden concealed hinges.

Note: in the option with a tubular chipboard or solid chipboard in standard 202, there are required 3 hinges.

**NOTE:** Sara ECO 2 door leaves in primer with DRE aluminum frames in aluminum and white are available from stock in selected configurations.

## AVAILABLE COLOURS OF ALUMINUM DOOR FRAMES



aluminum



White  
RAL 9003

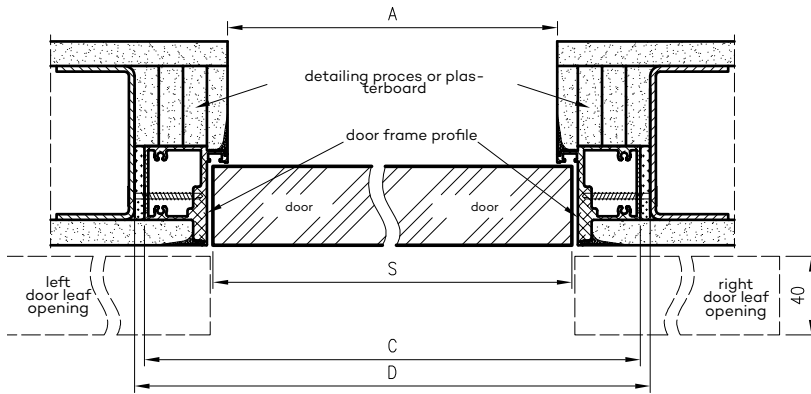


black

# TECHNICAL INFORMATIONS

## SARA ECO 2 - NON-REBATED - OUTWARD OPENING DRE DOOR FRAME

Cross-section for Sara Eco2 non-rebated doors opened outwards



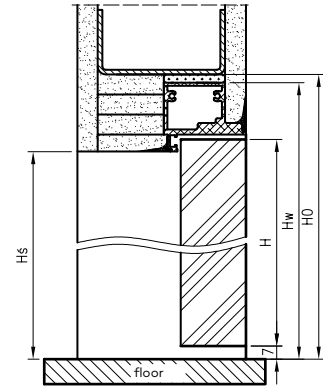
Dimensions of the door leaf width Sara Eco 2

	S	A	C	D
"60"	620	605	690	700
"70"	720	705	790	800
"80"	820	805	890	900
"90"	920	905	990	1000
"100"	1020	1005	1090	1100

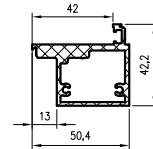
Door height dimensions

stan- dard	H	H <sup>ś</sup>	hw	H <sup>0</sup>
202x	2020	2020	2062	2070
220X	2200	2200	2242	2250
240X	2400	2400	2442	2450

Vertical cross-section for Sara Eco 2 door non-rebated - opening outwards

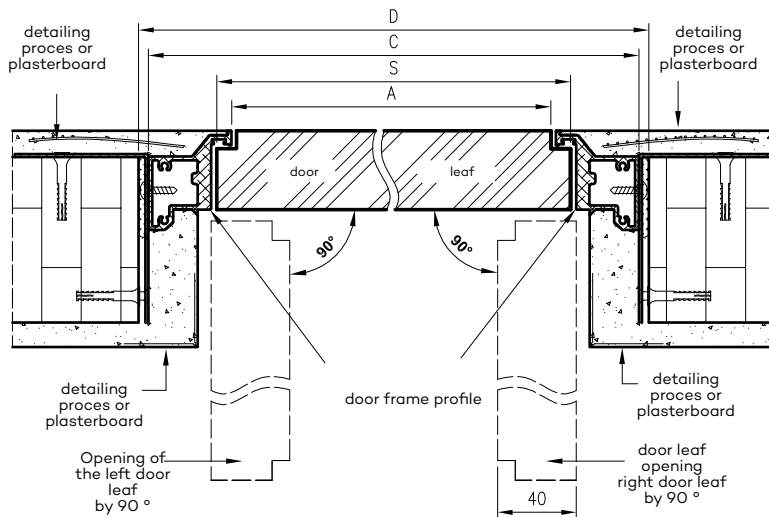


DRE profile for non-rebated outward opening doors



## SARA ECO 2 - INVERTED REBATE - INWARD OPENING DRE DOOR FRAME

Cross-section of Sara Eco 2 with inverted rebate - opened inwards



Dimensions of the door leaf width Sara Eco 2

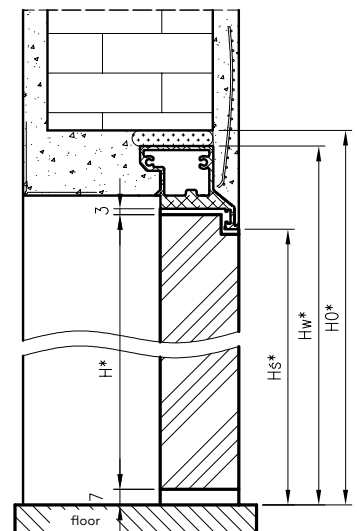
	S	A	C	D
"60"	620	605	690	700
"70"	720	705	790	800
"80"	820	805	890	900
"90"	920	905	990	1000
"100"	1020	1005	1090	1100

S - door leaf width  
A - width of passage in door frame unit  
C - external width of door frame  
D - required width of wall opening

Door height dimensions

stan- dard	H*	H <sup>ś</sup> *	Hw*	H <sup>0</sup> *
202x	2030	2030	2072	2080
220X	2210	2210	2252	2260
240X	2410	2410	2452	2460

Vertical section of Sara Eco 2 with inverted rebate - opened inwards



DRE profile for doors with inverted rebate opened inwards

